

Cleaning trough, type 20550-2 W



≡ Cleaning trough, type 20550-2 W with soap dispenser



≡ Alternatively: Cleaning trough, type 20550-3 W with soap and disinfectant dispenser

≡ Cleaning trough for wall, floor or pedestal mounting. Wrought basin body with rear panel made completely of type 1.4301 stainless steel and a hygienic surface with a roughness grade of Rz 04.

≡ The non-contact fittings prevent contamination and therefore guarantee maximum hygiene as well as maximum economy by consuming a minimum of water and energy.

≡ Water flows only when hands are placed under the stainless steel outlet, i.e. only when hands are actually being washed. This, combined with the use of a water-saving aerator, reduces water consumption to the 1–1.5 litres that are actually required.

≡ A one second setting for water-flow overrun minimizes on/off switching and thus prolongs the service life of the equipment.

≡ In the event of damage or deliberate covering of the sensor, the water will flow for a maximum of 30 seconds.

≡ An Aquaflow function checks for the stagnation of drinking water in the pipes. Rinsing then reduces the undesirable spread of bacteria

≡ The generous radii allow for easy cleaning.

≡ The cleaning trough, type 20550-2 W meets EU and US hygiene requirements as well as the electrical requirements of the VDE standard.

≡ Optional: paperless hand drying, soap and disinfectant dispensers in various designs.

ITEC GmbH

Auf dem Tigge 60 b + c
D-59269 Beckum/Westfalen
Germany

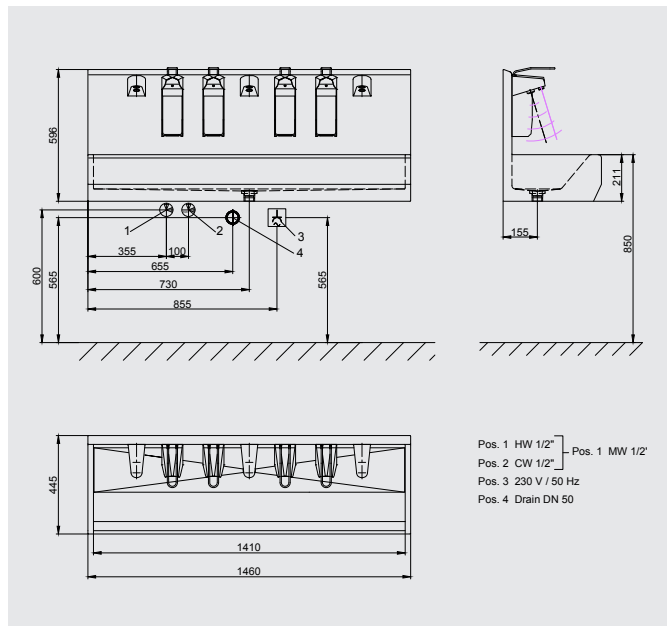
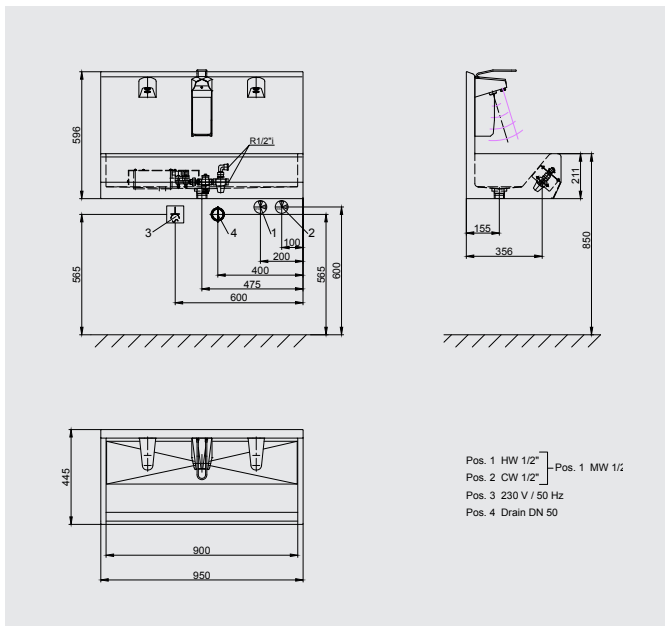
Phone +49 25 21 / 85 07 0

Fax +49 25 21 / 85 07 90

www.klin-itec.de · info@klin-itec.de



Cleaning trough, type 20550-2 W



Technical data: Cleaning trough, type 20550-2 W

External dimensions (D x W x H):	445 x 1460 x 596 mm
Outlet tap:	stainless steel with integrated sensor
Drain valve:	R 1 1/2"
Thermal mixing valve (option):	1/2", continuously adjustable from 35 – 65 °C
Soap and disinfectant dispensers (Option):	made from plastic or stainless steel
Mains supply:	230 V, 50–60 Hz / 1,6 kW
Control voltage:	24 V DC
Alternatively:	Battery operation 9 V DC

Technical data subject to change.

Cleaning trough, type 20550-2W complete with internal pipe-work, and ready for connecting. Not included in delivery are non-return valves, siphon, sealing and minor parts/components.

Technical data: Cleaning trough, type 20550-3 W

External dimensions (D x W x H):	445 x 1460 x 596 mm
Outlet tap:	stainless steel with integrated sensor
Drain valve:	R 1 1/2"
Thermal mixing valve (option):	1/2", continuously adjustable from 35 – 65 °C
Soap and disinfectant dispensers (Option):	made from plastic or stainless steel
Mains supply:	230 V, 50–60 Hz
Control voltage:	24 V DC
Alternatively:	Battery operation 9 V DC

Technical data subject to change.

Cleaning trough, type 20550-3W complete with internal pipe-work, and ready for connecting. Not included in delivery are non-return valves, siphon, sealing and minor parts/components.

ITEC GmbH

Auf dem Tigge 60 b + c
 D-59269 Beckum/Westfalen
 Germany
 Phone +49 25 21/85 07 0
 Fax +49 25 21/85 07 90
 www.klin-itec.de · info@klin-itec.de

