

Hygiene article dispenser, type 2820/28211 Dispenser for disposable products



≡ Hairnet dispenser, type 2820

≡ The hygiene article dispensers are made entirely from stainless steel and encourage optimal personal hygiene by the dispensing and provision of disposable articles.

≡ The large opening and integrated collecting tray allow hygienic removal of individual hygiene articles and help prevent them from being dropped on the floor.

≡ For disposable hygiene articles such as face masks, gloves or hairnets.

≡ Fill level visible from the outside.

≡ Easy to refill by lifting the lid.



≡ Universal dispenser, type 28211

ITEC GmbH

Auf dem Tigge 60 b + c
D-59269 Beckum/Westfalen
Germany

Phone +49 25 21 / 85 07 0

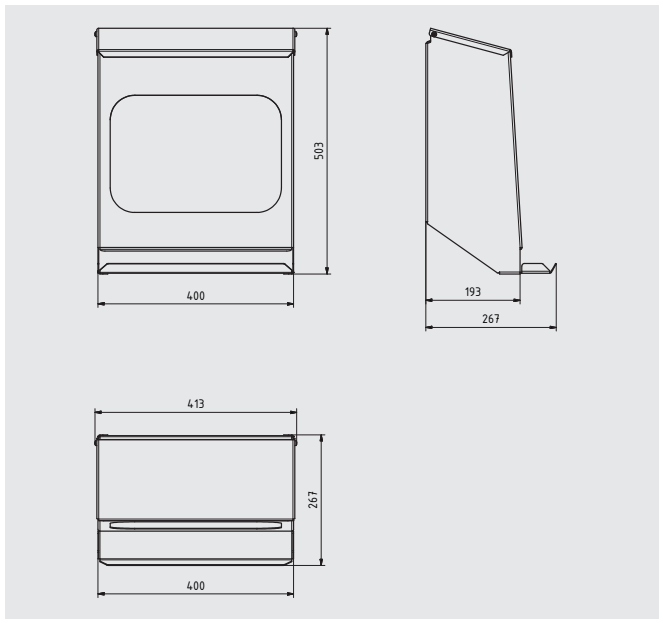
Fax +49 25 21 / 85 07 90

www.klin-itec.de · info@klin-itec.de



Hygiene article dispenser, type 2820/28211

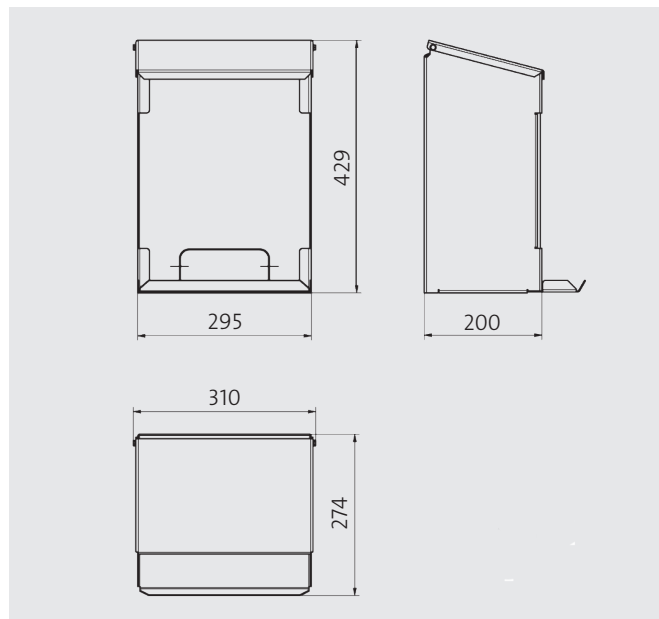
Dispenser for disposable products



Technical data: Hairnet dispenser, type 2820

Dimensions (W x H x D):	405 x 500 x 230 mm
Dispenser capacity:	approx. 400 hairnets
Weight:	7 kg

Technical data subject to change.



Technical data: Universal dispenser, type 28211

Dimensions (W x H x D):	305 x 430 x 203 mm
Dispenser capacity:	approx. 300 hairnets
Weight:	6 kg

Technical data subject to change.

ITEC GmbH

Auf dem Tigge 60 b + c
 D-59269 Beckum/Westfalen
 Germany
 Phone +49 25 21/85 07 0
 Fax +49 25 21/85 07 90
 www.klin-itec.de · info@klin-itec.de

