

MANOTIZER, type 23704

Automatic hand disinfectant dispenser



MANOTIZER, type 23704

People see hospitals as places of hope. Pain is relieved there, the healing process is initiated and lives are saved. But hospitals also have a downside. Every year hospital infections cause thousands of unnecessary deaths and suffering.

Hygienic hand disinfection is now an important measure to prevent hospital infections and to protect patients, visitors and medical staff. Hand hygiene also prevents the spread of multi-resistant pathogens that are an increasing global problem.

The MANOTIZER developed by KLIN-ITEC is ideal for optimal hand disinfection dispensing systems.

Details:

- Non-contact application of disinfectant to both hands.
- Precise dispensing through adjustable disinfectant amount.
- A quick closing membrane pump prevents dripping.
- Simple to use and minimal effort due to its 5-litre container.
- Hygienic design – easy to clean.
- Made entirely of stainless steel 1.4301.
- Optional: potential-free relay contact for activating the automatic doors.

ITEC GmbH

Auf dem Tigge 60 b + c
D-59269 Beckum/Westfalen
Germany

Phone +49 25 21 / 85 07 0

Fax +49 25 21 / 85 07 90

www.klin-itec.de · info@klin-itec.de



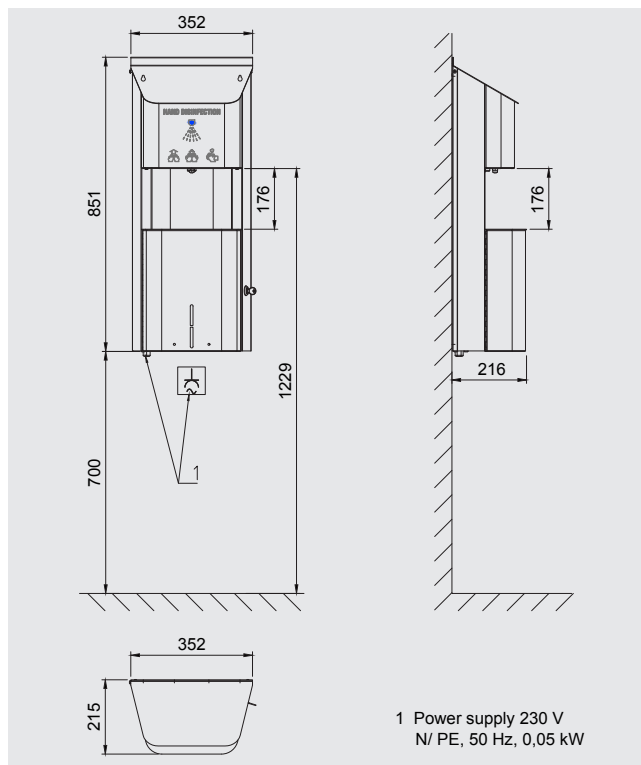
MANOTIZER, type 23704

Automatic hand disinfectant dispenser

Technical data: MANOTIZER, type 23704

Mains supply:	230 V, PE
Power rating:	0.05 kW
Mains frequency:	50 Hz
Control voltage:	24 V DC
Conductor cross section:	3 x 1,5 mm ²
Protection type:	IP 44
Machine weight:	approx. 11 kg
Room temperature:	min. +4 °C up to a max. +40 °C

Technical data subject to change.



ITEC GmbH

Auf dem Tigge 60 b + c
 D-59269 Beckum/Westfalen
 Germany
 Phone +49 25 21/85 07 0
 Fax +49 25 21/85 07 90
 www.klin-itec.de · info@klin-itec.de

